

OTC Ball Joint Service Kits

6529, 6539

CARS

The 6529 Car Ball Joint Master Service Kit is the first of its kind on the market!

Stop searching for make-shift solutions for those car applications - everything required is laid out in this complete 50+ piece set.

Information at your fingertips - the comprehensive manual includes diagrams with instructions - eliminating guesswork of which adapters are required.

70% of the OEM's have cars with press in ball joints. This kit is designed to cover the vehicles that require ball joint replacement.

New Car kit with manual covers vehicles thru 2008.

TRUCKS

The 6539 Truck/Van/SUV Ball Joint Master Service Kit is the most comprehensive and complete kit available on the market!

This 55+ piece kit covers press-in ball joints on the following Truck/Van/SUV applications; Toyota, Hyundai, KIA, Infinity, Nissan, Chrysler, Dodge, Jeep, Plymouth, Mitsubishi, Ford, Lincoln, Mercury, Mazda, Chevrolet, Buick, Oldsmobile, Pontiac, Cadillac, GMC, Hummer.

Information at your fingertips - the comprehensive manual includes diagrams with instructions - eliminating guesswork of which adapters are required.

New Truck/Van/SUV kit with manual covers vehicles thru 2008.

Finally, a complete ball joint service kit for cars!



Domestic or Import, the new Truck/Van/SUV kit has ball joint service completely covered!



6529MAN-08 – Ball Joint Application Guide

Sample of Application Chart

BALL JOINT ADAPTER AND TOOL APPLICATION GUIDE

Make	Model	Year	Truck Car	Upper or Lower	Front or Rear	Bolt in or Press fit	OTC Adapter P/N's (Removal)	OTC Adapter P/N's (Install)	Comments
Acura	2.2CL	1997	Car	Lower	Front	Press fit	314427, 314426	314428, 554397 or 38355A	Ball joint in spindle instead of control arm
	2.2CL	1997				Bolt in	Adjustable (± 1 degree camber/caster)		
	2.3CL	1998-1999	Car	Lower	Front	Press fit	314427, 314426	314428, 554397 or 38355A	Ball joint in spindle instead of control arm
	2.3CL	1998-1999				Bolt in	Adjustable (± 1 degree camber/caster)		
	2.5TL	1996-1999	Car	Lower	Front	Press fit	554579, 554399, 314392	554414, 554397, 314392	
	2.5TL	1995-1999				Bolt in	Adjustable (± 1 degree camber/caster)		
	3.0CL	1997-1999	Car	Lower	Front	Press fit	314427, 314426	314428, 554397 or 38355A	Ball joint in spindle instead of control arm
	3.0CL	1997-1999				Bolt in	Adjustable (± 1 degree camber/caster)		
	3.2CL	2001-2003	Car	Upper	Front	Press fit	29505 & 305227, 554420, 314392	38355A, 554414, 314392	
3.2CL	2001-2003	Car	Lower	Front	Press fit	314427, 314426	314428, 554397 or 38355A	Ball joint in spindle instead of control arm	



- New application guide to cover all Car and Truck/Van/SUV makes and models thru 2008.
- References Bolt In/Press Fit, Removal/Install adapter p/n's, and replace control arm applications.
- Includes Remove/Install diagrams with adapter p/n's to eliminate guess work.
- Quick Reference Chart to quickly determine if tools are required and which kit contains them.

Sample of Application Diagram

Application:
2003-2007 Honda Accord Sedan/Coupe
2004-2007 Acura TSX

Component: Lower-Front
2005-2006 Honda Accord Hybrid

REMOVAL:

1. Remove the dust boot and wheel bearing dust ring as shown in Figure 1.

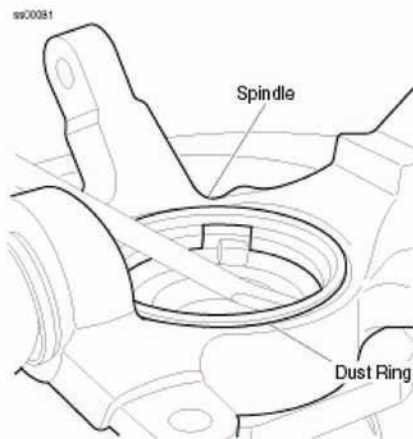


Figure 1. Ball Joint Removal

2. Position 554398 on spindle.
3. Position 554399 over the stem of the ball joint as shown in Figure 2.
4. Position C-Frame and 314392.
5. Turn the forcing screw until it meets the ball joint. Check the alignment of all components.
6. Tighten the forcing screw until the ball joint is removed.

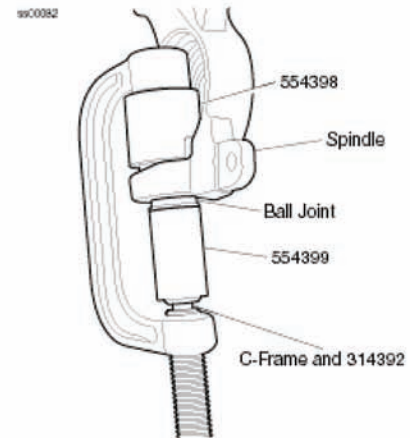


Figure 2. Ball Joint Removal

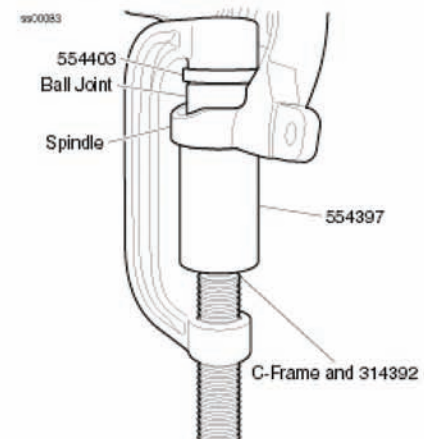


Figure 3. Ball Joint Installation

INSTALLATION:

1. Clean the spindle ball joint bore.
2. Insert the new ball joint as straight as possible into the spindle.
3. Position 554403 and 554397 on the ball joint as shown in Figure 3.
4. Position C-Frame and 314392 and tighten the forcing screw.
5. Check the alignment of all the components and continue tightening the forcing screw until the ball joint is firmly seated.

Ball Joint Service Kits For Cars



6529-1 BMW Car Ball Joint Adapter Set

- 11 adapters included to remove and install ball joints
- Works on upper and lower ball joints on: 1992 – 1999 318 series, 1998 – 1999 323 series, 1996 – 1999 328 series, 1996 – 1999 M3.
- Vehicle application chart and diagrams included. Does not include the 7248 C-Frame press.



6529-4 GM Car Ball Joint Adapter Set

- 18 adapters included to remove and install ball joints
- Works on upper and lower ball joints on: 1996 – 2008 Chevrolet, Buick, Pontiac, Oldsmobile, and Cadillac cars with press in ball joints
- Vehicle application chart and diagrams included. Does not include the 7248 C-Frame press.



6529-2 Chrysler/Mitsubishi Car Ball Joint Adapter Set

- 20 adapters included to remove and install ball joints
- Works on upper and lower ball joints on: 1996 – 2008 Chrysler, Dodge, Plymouth, and Mitsubishi cars with press in ball joints
- Vehicle application chart and diagrams included. Does not include the 7248 C-Frame press.



6529-5 Honda/Acura Car Ball Joint Adapter Set

- 19 adapters included to remove and install ball joints
- Works on upper and lower ball joints on: 1996 – 2008 Honda and Acura cars with press in ball joints
- Vehicle application chart and diagrams included. Does not include the 7248 C-Frame press.



6529-3 Ford/Mazda Car Ball Joint Adapter Set

- 25 adapters included to remove and install ball joints
- Works on upper and lower ball joints on: 1996 – 2008 Ford, Lincoln, Mercury, and Mazda cars with press in ball joints
- Vehicle application chart and diagrams included. Does not include the 7248 C-Frame press.



6529-6 Import Car Ball Joint Adapter Set

- 15 adapters included to remove and install ball joints
- Works on upper and lower ball joints on: 1996 – 2008 Toyota, Hyundai, Kia, Infinity, Saab, and Nissan cars with press in ball joints
- Vehicle application chart and diagrams included. Does not include the 7248 C-Frame press.



6529-10 Car Ball Joint Master Set Upgrade for 6539

14 additional adapters required to complete a 6529 Car Ball Joint Master Set when added to the 6539 Truck Ball Joint Adapter Set.



7248 C-Frame

C-Frame to be used in conjunction with all OTC Ball Joint Adapters. Can also be used for removing/installing; universal joints with needle bearings, pressed in wheel studs, and brake anchor pins on heavy-duty vehicles.

Ball Joint Service Kits For Trucks/Vans/SUV's



6539-1 Import Truck Ball Joint Adapter Set

- 35 adapters included to remove and install ball joints.
- Works on upper and lower ball joints on 1996-2008 Toyota, Honda, Acura, Hyundai, KIA, Infinity, Isuzu, and Nissan Trucks, Vans, and SUV's with press in ball joints.
- Vehicle application chart and diagrams included. Does not include the 7248 C-Frame press.



6539-2 Chrysler/Mitsubishi Truck Ball Joint Adapter Set

- 35 adapters included to remove and install ball joints.
- Works on upper and lower ball joints on 1996-2008 Chrysler, Dodge, Jeep, Plymouth, and Mitsubishi Trucks, Vans, and SUV's with press in ball joints.
- Vehicle application chart and diagrams included. Does not include the 7248 C-Frame press.



6539-10 Truck Ball Joint Master Set Upgrade for 6529

18 additional adapters required to complete a 6539 Truck Ball Joint Master Set when added to the 6529 Car Ball Joint Adapter Set.



6539-3 Ford/Mazda Truck Ball Joint Adapter Set

- 32 adapters included to remove and install ball joints.
- Works on upper and lower ball joints on 1996-2008 Ford, Lincoln, Mercury, and Mazda Trucks, Vans, and SUV's with press in ball joints.
- Vehicle application chart and diagrams included. Does not include the 7248 C-Frame press.



6539-4 GM Truck Ball Joint Adapter Set

- 29 adapters included to remove and install ball joints.
- Works on upper and lower ball joints on 1996-2008 Buick, Cadillac, Oldsmobile, Pontiac, Chevrolet, GMC, and Hummer Trucks, Vans, and SUV's with press in ball joints.
- Vehicle application chart and diagrams included. Does not include the 7248 C-Frame press.



7248 C-Frame

C-Frame to be used in conjunction with all OTC Ball Joint Adapters. Can also be used for removing/installing; universal joints with needle bearings, pressed in wheel studs, and brake anchor pins on heavy-duty vehicles.

10-47 Rev. 1 ©2010 SPX. All rights reserved. Because of ongoing product improvements, we reserve the right to change design, materials, and specifications without notice. Certain kits may require additional cables or adapters. Product shipped may differ from photo(s) shown.