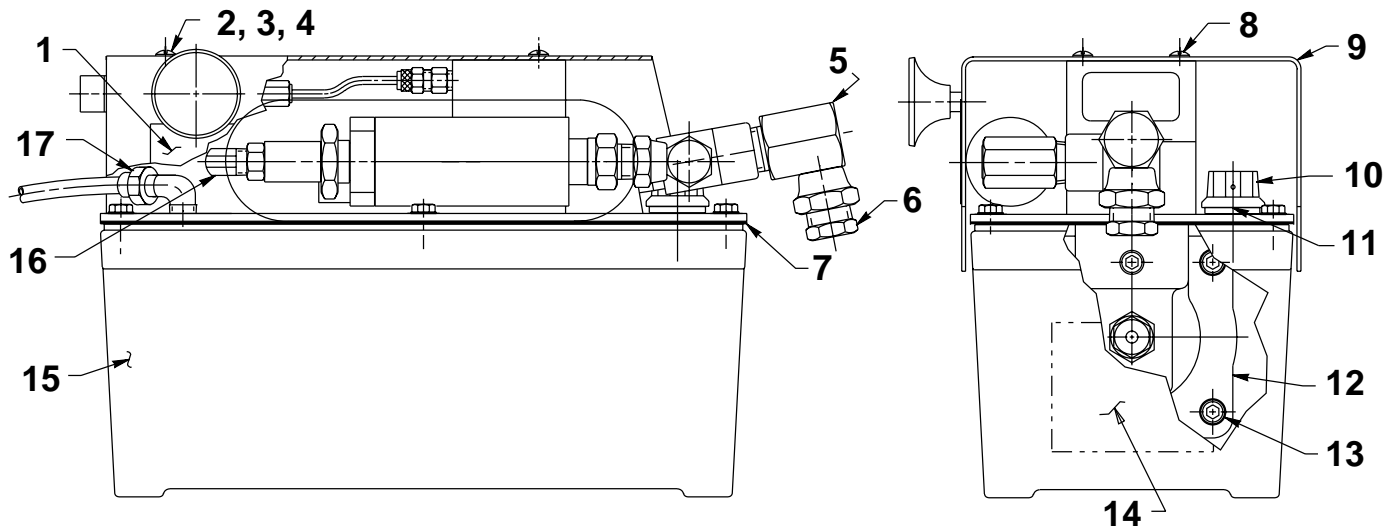
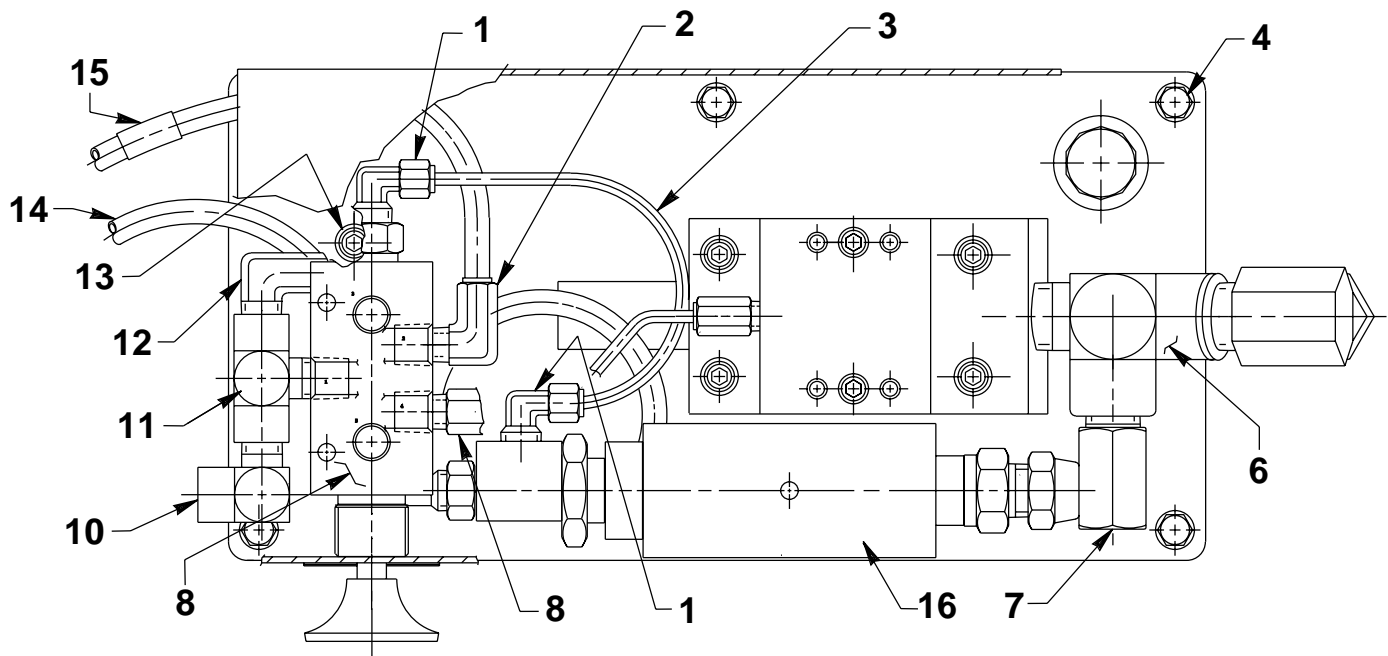


MODEL F
AIR HYDRAULIC PUMP
 Maximum Capacity: 10,000 PSI



Item No.	Part No.	No. Req'd	Description
1	250490	1	Decal
2	250968	2	Rd. Hd. Machine Screw (#10-24 X 1-1/4" Lg.)
3	11108	2	External Tooth Washer
4	10197	2	Hex. Machine Screw Nut
5	10470	1	Adapter Union
6	250952	1	Pipe Plug (3/8 NPTF)
7	*33853	1	Reservoir Gasket
8	10164	2	Rd. Hd. Machine Screw (#10-24 X 3/8 Lg.)
9	58263BK2	1	Shroud
10	251689	1	Filler/Breather Cap
11	*10273	1	O-ring (13/16 X 5/8 X 3/32)
12	64767	1	Pump Body
13	17428	4	Soc. Hd. Cap Screw (1/4-20 UNC X 3-1/2" Lg.)
14	305494	1	Decal
15	61243	1	Reservoir
16	250463	1	90° Elbow Fitting
17	15457	1	90° Elbow Fitting

Part numbers marked with an asterisk (*) are contained in Repair Kit No. 300889.

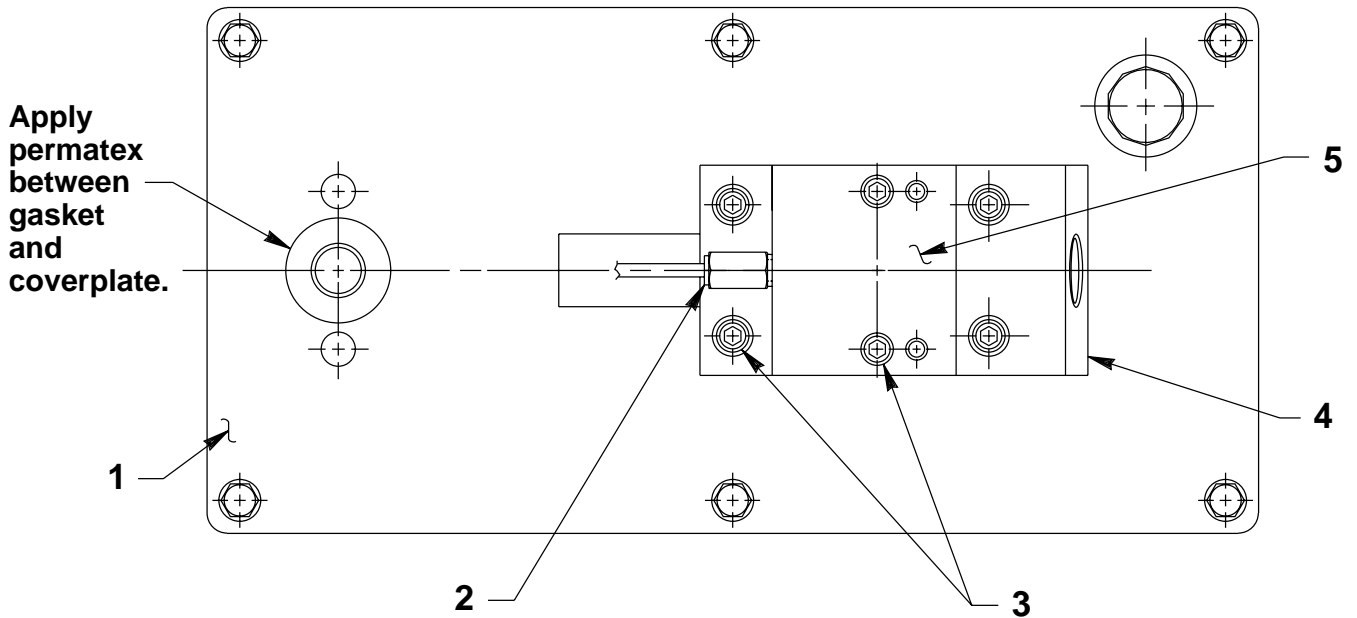


Item No.	Part No.	No. Req'd	Description
1	250804	2	90° Elbow Fitting
2	250463	2	90° Elbow Fitting
3	14281	1 Ft.	Tubing (See schematic on Sheet 2 of 3 for approx. lengths.)
4	211060	6	Screw (#9-15 X 1" Lg.; Torque to 25/30 in. lbs.)
6	10623	1	Service Fitting Tee
7	250385	1	90° Elbow Fitting
8	250726	1	Straight Fitting
9	350485	1	Air Operated Valve
10	13864	1	90° Elbow Fitting
11	14538	1	Tee
12	11434	2	Cap Screw (10-24 UNC X 1/2 Lg.)
13	11089	2	Flat Washer (#10 bolt)
14	14726	6.75 Ft.	Tubing
15	206553	.08 Ft	Heat Shrink
16	9641	1	Pressure Switch Assembly (See Form No. 102910.)

PARTS INCLUDED BUT NOT SHOWN

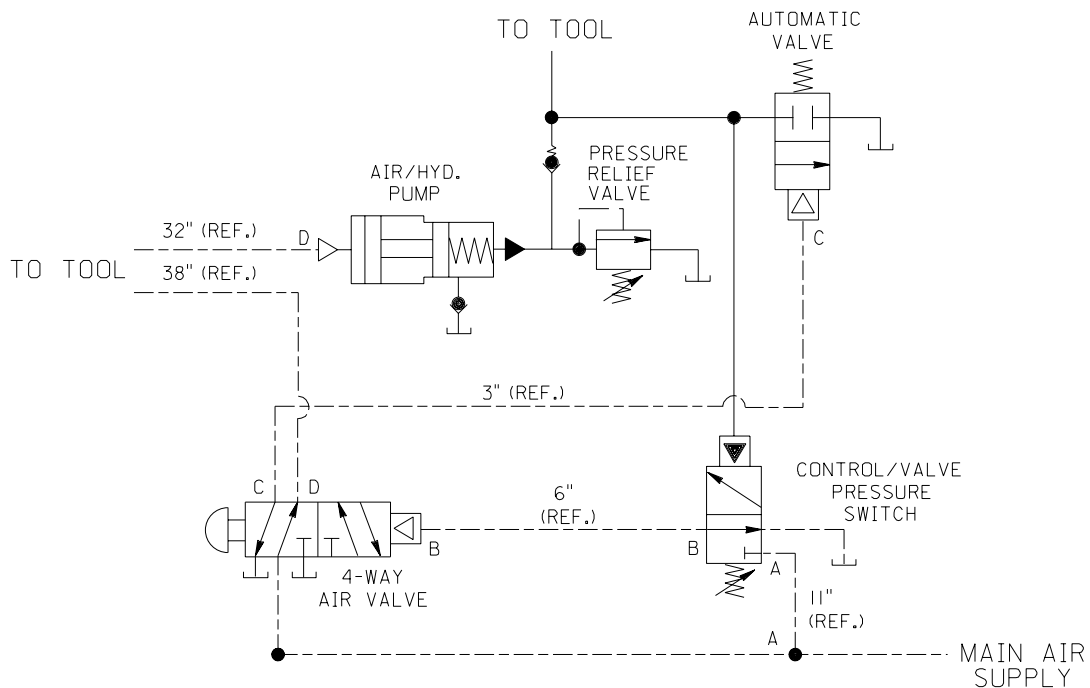
211060	4	Screw (#9-15 X 1" Lg.; Torque to 25/30 in. lbs.; For pump mounting purposes only)
--------	---	--

BASIC PUMP ASSEMBLY TOP VIEW

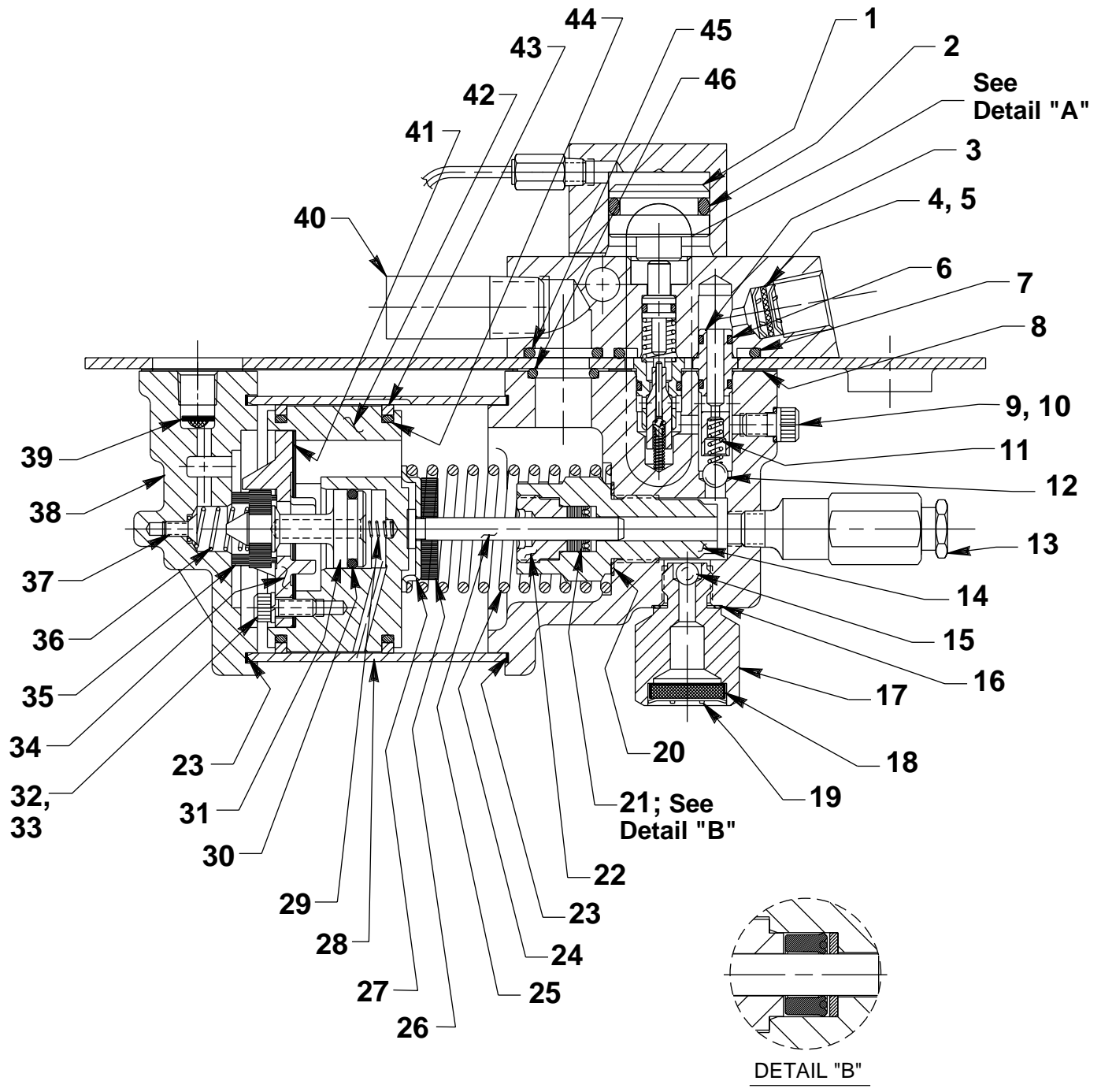


Item No.	Part No.	No. Req'd	Description
1	420965BK2	1	Cover Plate
2	250725	1	Straight Fitting
3	11151	6	Cap Screw (10-24 UNC X 1-1/4" Lg.; Torque to 50/60 in. lbs.)
4	58685	1	Release Valve Body
5	421239	1	Release Valve

AIR/HYDRAULIC SCHEMATIC



BASIC PUMP ASSEMBLY SECTION A-A



Refer to any operating instructions included with this product for detailed information about operation, testing, disassembly, reassembly, and preventive maintenance.

Items found in this parts list have been carefully tested and selected. **Therefore: Use only genuine OTC replacement parts!**

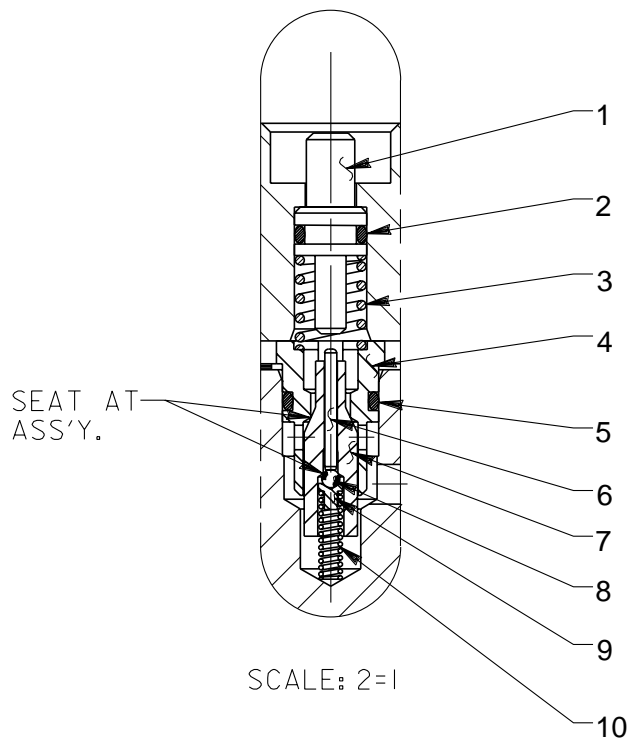
Additional questions can be directed to our Technical Services Department.

Item No.	Part No.	No. Req'd	Description
1	34757	1	Release Piston
2	*208144	1	O-ring (1-1/8" X 7/8 X 1/8; Apply lubricant)
3	34378	1	Check Valve Body
4	*250638	1	Screen
5	*11088	2	Retaining Ring
6	*12522	2	O-ring (3/8 X 1/4 X 1/16; Urethane)
7	*11841	1	O-ring (1-5/8" X 1-3/8" X 1/8)
8	*351021	1	Gasket
9	*10442	1	Copper Washer (3/8 X 1/4 X 1/32)
10	10002	1	Soc. Hd. Cap Screw (1/4-20 X 3/8 Lg.; Torque to 90/110 in. lbs.)
11	*10445	1	Compression Spring
12	*10423	1	Steel Ball (9/32 dia.)
13	21278	1	Relief Valve Assembly (Set at 10,000/10,700 PSI; Apply loctite 592 [Power Team #905516] or equiv. & torque to 150/170 in. lbs.)
14	45278	1	Piston Cylinder (Torque to 90/100 ft. lbs. oiled.)
15	*10375	1	Steel Ball (1/4 dia.)
16	*10261	1	Soft Copper Washer
17	308893	1	Filter Adapter (Torque to 40/50 ft. lbs. oiled.)
18	214578	1	Filter
19	214586	1	Retaining Ring (Internal)
20	*10263	1	Soft Copper Washer
21	*13934	1	U-cup & Backup
22	*304295	1	Retainer (Note: See "INSTRUCTIONS FOR RETAINER REPLACEMENT" on back sheet 3 of 3.)

Item No.	Part No.	No. Req'd	Description
23	*17429	2	Backup Ring
24	*13938	1	Compression Spring
25	28226	1	Piston
26	203143	1	Bumper
27	210994	1	Spring Guide
28	37434	1	Air Cylinder (NOTE: Locate groove on upper half (top) of pump with chamfered tube end towards rear head as shown.)
29	*12692	1	Compression Spring
30	*211052	1	O-ring (.900 X .706 X .097)
31	305475	1	Exhaust Valve Stem
32	*10241	3	Lockwasher (#10)
33	211054	3	Soc. Hd. Cap Screw (#10-24 X 1/2 Lg.; Torque to 50/55 in. lbs.)
34	33822	1	End Piston Plate
35	*28183	1	Piston Poppet
36	*205679	1	Compression Spring
37	*205674	1	Flat Hd. Screw (#8-32 X 3/8 Lg.; Torque to 12/18 in. lbs.)
38	37468	1	Rear Head
39	*216296	1	Screen
40	250461	1	Muffler
41	*28239	1	Gasket
42	52390	1	Piston Body
43	*14265	2	Piston Seal
44	*251835	2	O-ring (2-1/2" X 2-5/16" X 3/32)
45	*10276	1	O-ring (1" X 3/4 X 1/8)
46	*10272	1	O-ring (3/4 X 9/16 X 3/32)

Part numbers marked with an asterisk (*) are contained in Repair Kit No. 300889.

Note: Shaded areas reflect last revision(s) made to this form.



DETAIL "A"

Item No.	Part No.	No. Req'd	Description
1	28227	1	Release Valve
2	*10266	1	O-ring (3/8 X 1/4 X 1/16)
3	*13944	1	Compression Spring
4	34377	1	Retainer Poppet
5	*15279	1	O-ring (1/2 X 3/8 X 1/16)
6	13937	1	Dowel Pin (NOTE: Place tapered end toward ball.)
7	29037	1	Release Valve Poppet
8	*14443	1	Steel Ball
9	209736	1	Ball Retainer
10	13959	1	Compression Spring

Part numbers marked with an asterisk (*) are contained in Repair Kit No. 300889.

INSTRUCTIONS FOR RETAINER REPLACEMENT

Your pump's retainer is locked into place by one of the two following methods. Determine which method was used on your pump's retainer, then follow the appropriate steps to remove the old and install and stake the new.

Method 1 - Retainer shows no sign of stake marks

1. This retainer has been locked in place with a Loctite product. To replace it, a moderate amount of heat needs to be applied to the cylinder nut (in the area of the retainer) to soften the existing Loctite allowing it to be removed.
2. Install the new retainer into the cylinder nut and torque to 80/100 in. lbs. **Note: Do not use a Loctite product this time but stake the new retainer in place according to instructions in Step 3.**
3. To lock retainer into place, use a center punch positioned in the seam between the retainer and the cylinder nut and stake the new retainer in two places approximately 180° apart.

Method 2 - Retainer has two stake marks in the seam between the retainer and the cylinder nut

1. For replacement of this retainer, the stake marks must be removed. Using a 1/8" or larger diameter drill bit, remove the existing stakes by drilling a short distance into the stake marks. Remove the retainer.
2. Install the new retainer into the cylinder nut and torque to 80/100 in. lbs.
3. To lock retainer into place, use a center punch positioned in the seam between the retainer and the cylinder nut and stake the new retainer in two places approximately 180° apart.

NOTE: Do not stake in the old stake marks.

